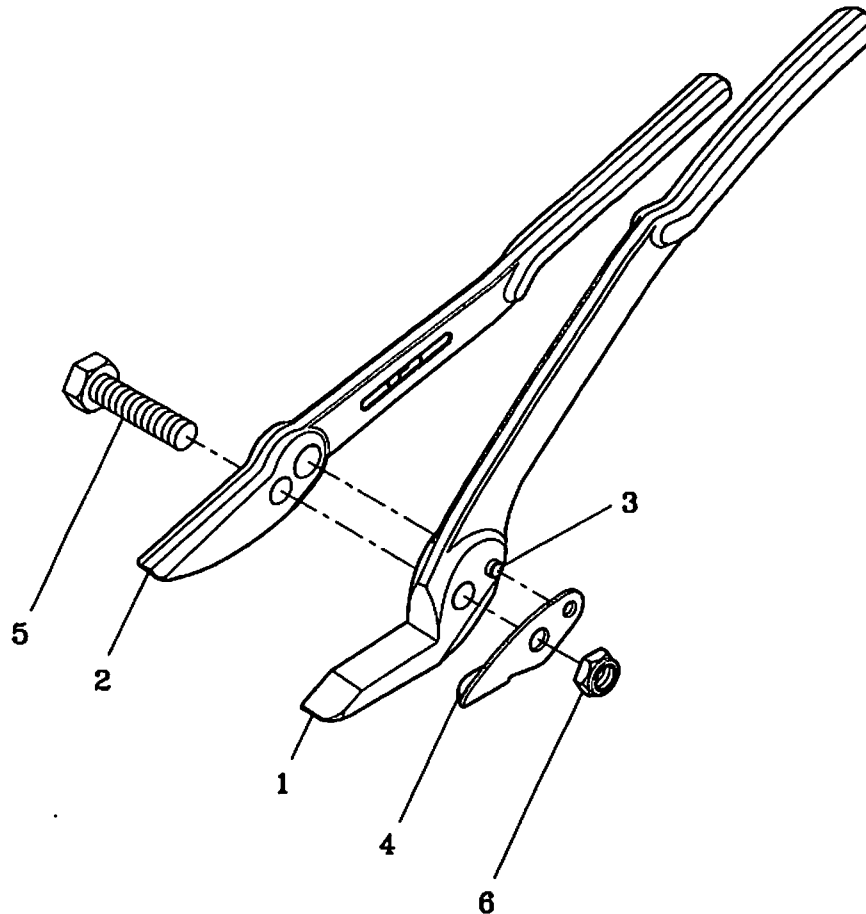


# STEEL STRAPPING CUTTER

**H-16** Up to 30 mm



REF NO.	PARTS NO.	DESCRIPTION	Q'TY
1	H16-001	Top Cutter Blade	1
2	H16-002	Bottom Cutter Blade	1
3	H16-003	Lock Pin	1

REF NO.	PARTS NO.	DESCRIPTION	Q'TY
4	H16-004	Guide Plate	1
5	H16-005	Bolt	1
6	NTE10	NTE, M10	1