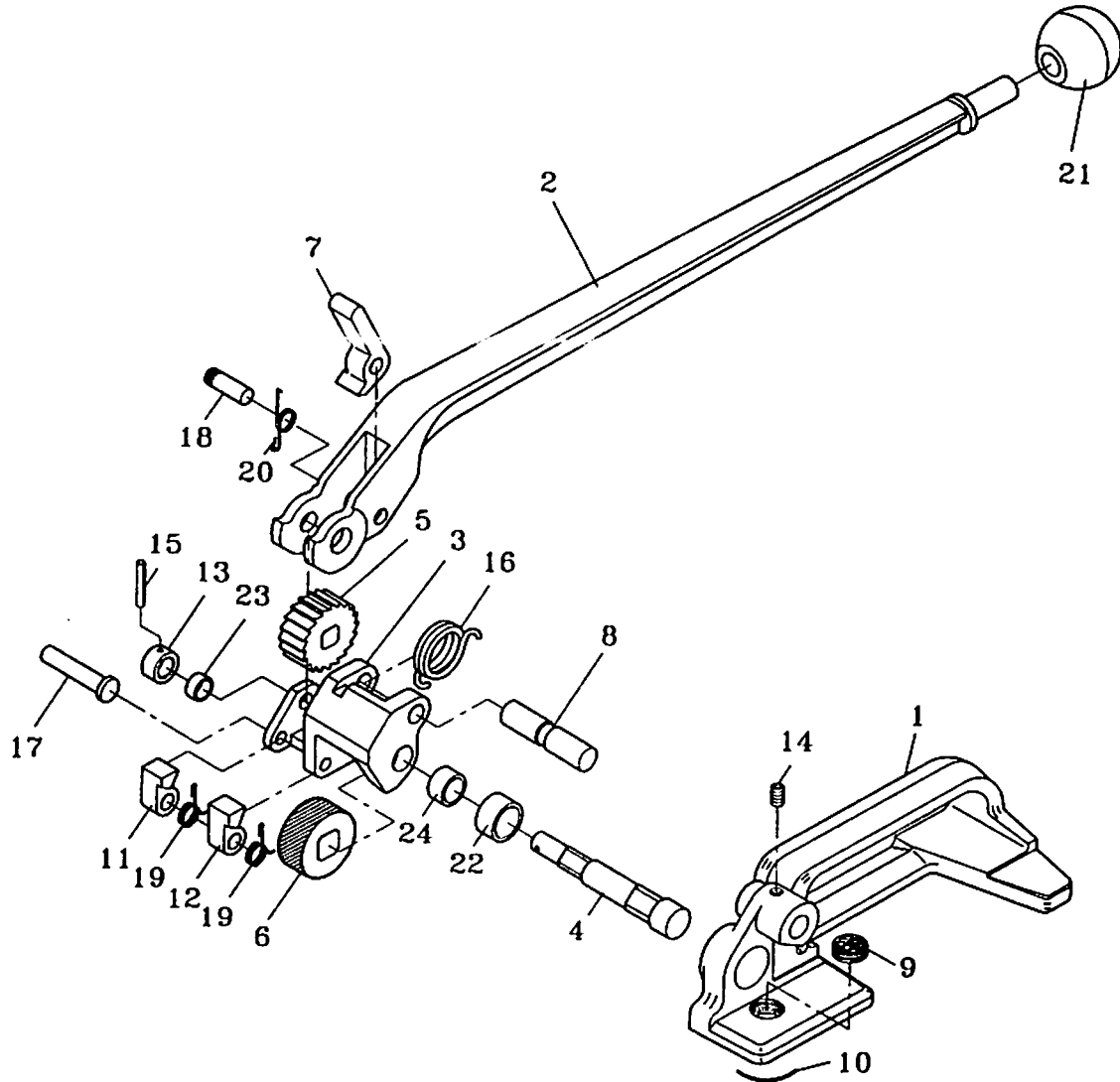


STEEL STRAPPING TENSIONER

H-54 (9~19mm) for regular duty steel strap

H-55 (9~19mm) for heavy duty steel strap



REF NO.	PARTS NO.	DESCRIPTION	Q'TY
1	H54-001	Base	1
2	H54-002	Handle (For H-54)	1
	H55-002	Handle (For H-55)	1
3	H54-003	Feedwheel Support (For H-54)	1
	H55-003	Feedwheel Support (For H-55)	1
4	H54-004	Feedwheel Shaft	1
5	H54-005	Ratchet Gear	1
6	H54-006	Feedwheel	1
7	H54-007	Handle Pawl	1
8	H54-008	Support Pin	1
9	H54-009	Clutch Plug	1
10	H54-010	Plug Lock Wire	1

REF NO.	PARTS NO.	DESCRIPTION	Q'TY
11	H54-011	Short Retaining Pawl	1
12	H54-012	Long Retaining Pawl	1
13	H54-013	Collar	1
14	HSS0608	HSS, M6x8	1
15	SP2.516	Spring Pin, 2.5x16	1
16	H54-016	Support Spring	1
17	H54-017	Retaining Pawl Pin	1
18	H54-018	Handle Pawl Pin	1
19	H54-019	Retaining Pawl Spring	2
20	H54-020	Spring	1
21	H54-021	Knob	1
22	H55-022	Bush (For H-55)	1
23	H55-023	Bush (For H-55)	1
24	H55-024	Bush (For H-55)	1

*** PLEASE ORDER PARTS BY PARTS NO., DESCRIPTION AND Q'TY.**