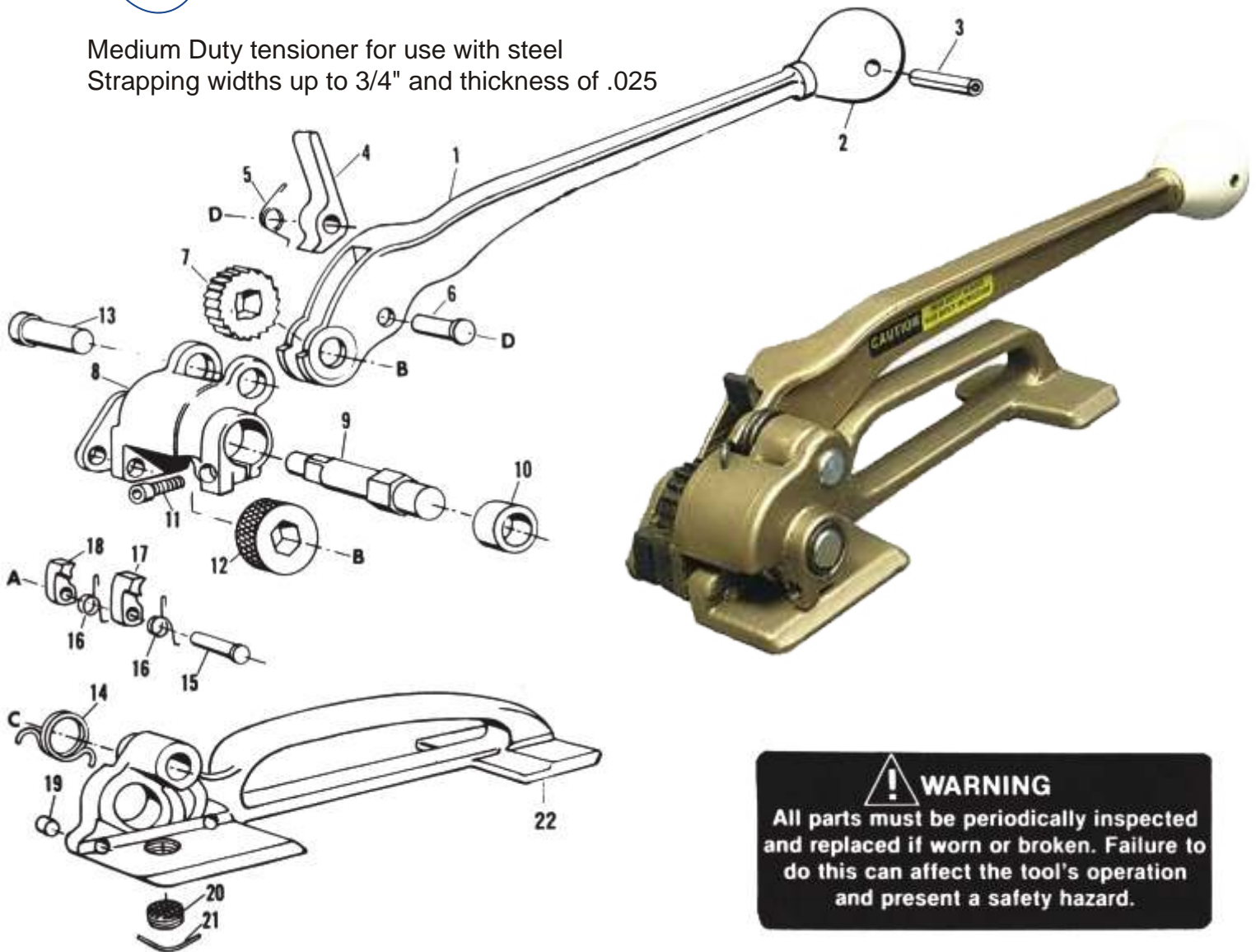


Medium Duty tensioner for use with steel
Strapping widths up to 3/4" and thickness of .025



WARNING
All parts must be periodically inspected and replaced if worn or broken. Failure to do this can affect the tool's operation and present a safety hazard.

Key No.	Description	Qty.	Part No.	Description	Qty.
1	Handle	1	626A	12	Feed Wheel
2	Knob	1	752	13	Feed Wheel Support Pin
3	Roll Pin	1	753	14	Feed Wheel Support Spring
4	Handle Pawl	1	754	15	Retaining Pawl Pin
5	Handle Pawl Spring	1	755	16	Retaining Pawl Spring
6	Handle Pawl Pin	1	756	17	Long Retaining Pawl
7	Ratchet Gear	1	757	18	Short Retaining Pawl
8	Feed Wheel Support	1	758A	19	Strap Guide Pin
9	Feed Wheel Shaft	1	759	20	Clutch Plug Assembly
10	Bearing	1	760	21	Lock Wire
11	Cap Screw #10-32 x 5/8"	1	761	22	Base
					1 772A